



OR Technology

Ceiling-mounted X-ray system with Bucky wall stand and table

Amadeo C-DR

Full automation

Easy, safe and fast positioning including auto-tracking function, APR positioning and auto-stitching

Optimum use of space

thanks to flexible rail solutions and adjustable preferred positions

Height-adjustable six-way X-ray table with motorized vertical stroke

Intelligent 12" console

with control of the generator parameters, live view of the colimator camera (optional) and instructions for patient positioning

Including X-ray software for image acquisition and diagnostic incl. cloud connection

System benefits

Optimal: Simple room planning according to your individual needs – flexible rail solutions and adjustable preferred positions allow the flexible assignment of wall stands and bucky tables to different room conditions.

Sophisticated: Fully automated for maximum productivity – very easy, safe and fast positioning (motorised movements, auto-tracking function, APR positioning, auto stitching) → degree of automation individually adjustable

Intelligent: 12' console with integrated control of the generator parameters, live view of the colimator camera (optional) and instructions for patient positioning

Time-saving: No additional effort required for rotating the detector (when using a 43 x 43 cm detector) – no tedious turning for landscape or portrait shots

Efficient: integration into your existing patient management system – patient data at the push of a button

Excellent: high-quality X-ray detector based on a caesium iodide (CsI) scintillator – top image quality even at low X-ray doses

User-friendly: self-explanatory OR Technology acquisition software *dicomPACS® DX-R* including free special measurement functions

Cleverly designed: integrated X-ray positioning guide helps choose the perfect positioning for each examination including helpful photos, videos and correct X-rays images

Accessibility: integrated diagnostic software offers a worldwide, fast and cost-effective information exchange (via cloud or email)

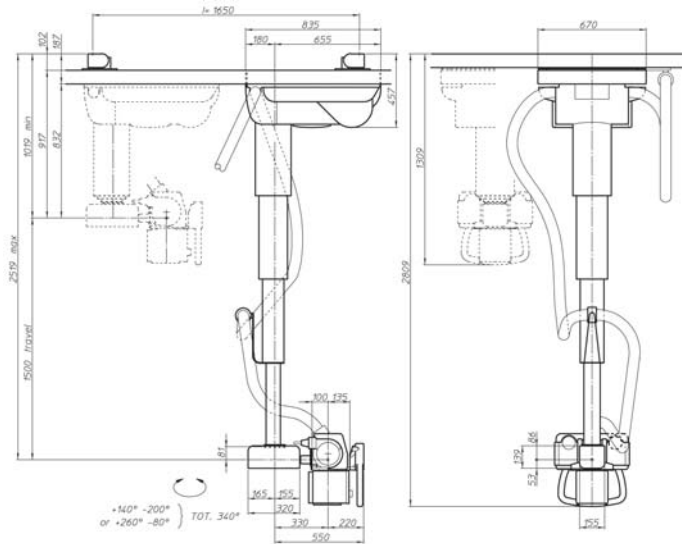
One of a kind: safe and quick registration of emergency patients and user-defined macros for recurring examinations, e.g. thorax screenings



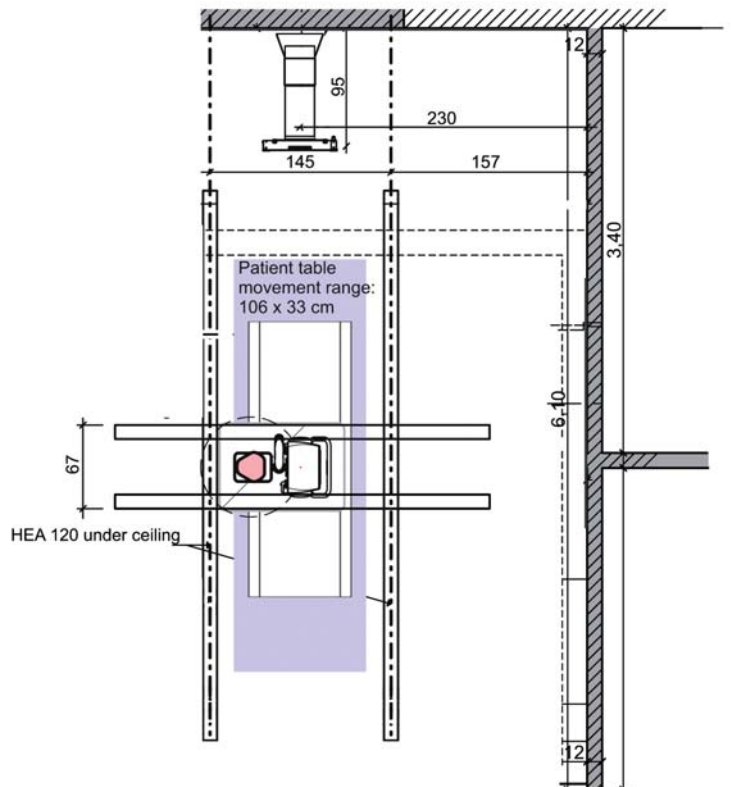


Measurements

Ceiling stand front / profile



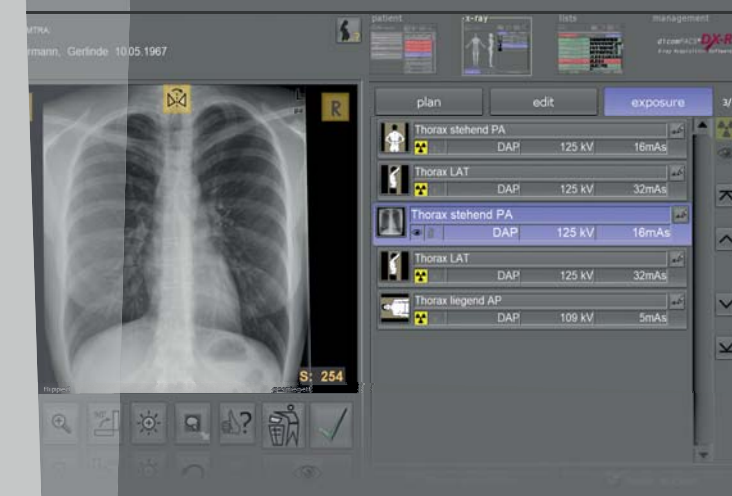
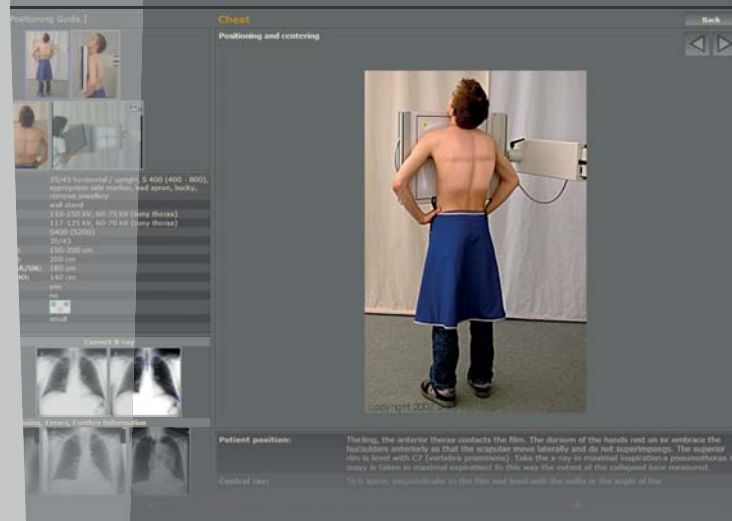
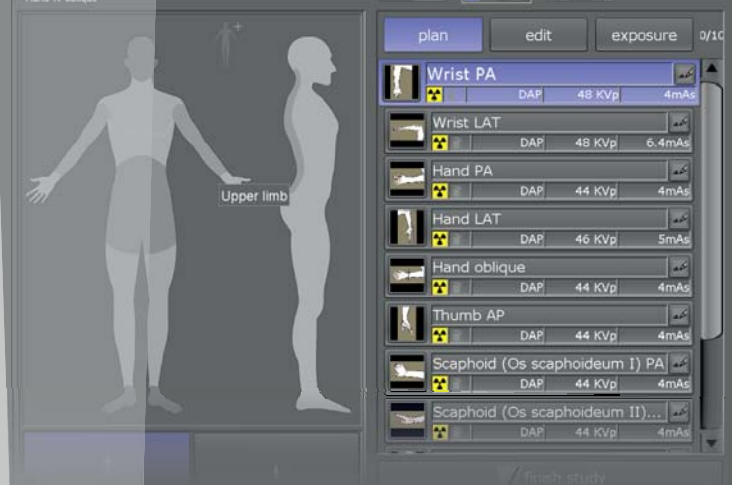
View from above [room example]



More information about **Amadeo C** can be found here: www.or-technology.com

Advantages of professional acquisition software

- Modern graphical user interface (GUI) adaptable to almost any language, **touchscreen** operation – to ensure quick and efficient work and a smooth workflow
- Capture patient data via **DICOM Worklist**, **BDT/GDT**, **HL7** or other protocols – data may also be captured manually
- Use **DICOM Procedure Codes** to transfer all relevant examination data directly from the connected patient management system (HIS/RIS)
- Freely configurable** body parts with more than **400 projections** and numerous possible adjustments already included
- Safe and fast **registration of emergency patients** allowing the user to **switch between examinations** of a patient, for instance to avoid having to re-position the patient frequently
- Allows the user to **subsequently add images** to an examination, even after that examination has been completed
- Additional **special functions** including Chiro Tools (diagnostic tools for efficient analyses) and tools assisting with NUCCA examinations
- User-defined macros for recurring examinations**, e.g. thorax screenings
- Fully **integrated radiographic positioning guide** for each examination incl. comprehensive notes, photos, videos and correct X-ray images
- Option to **control** a digital X-ray system **via wireless remote** incl. display of the worklist, preview of the image taken for checking and much more



Standard components Amadeo C systems

	Ceiling mount X-ray system with wireless X-ray detector 14" x 17" Amadeo C-DR	Ceiling mount X-ray system with dual detector (17" x 17" fixed and wireless 14" x 17") Amadeo C-DR	Ceiling mount X-ray system with dual detector (2x 17" x 17" fixed) Amadeo C-DR
50/80 kW HF generator	✓	✓	✓
X-ray table <ul style="list-style-type: none"> • motorised X-ray table with 6-way floating table top (220 x 81 cm) (shorter lengths available for small rooms) • 55 cm – 85 cm (table top heights) height adjustment • 110 cm longitudinal, 24 cm transverse table top travel • extremely low table top filtration for best exposure • stable construction with high load capacity of the table, max. 225 kg (500 lbs) • heavy-duty grid cabinet (103 LPI, 10:1 grid), height adjustment 55 cm (other grids available) 	 ✓	✓	✓
Wall stand <ul style="list-style-type: none"> • 155 cm motorised vertical travel • fully counter-balanced, double rope system for safety • negative electrical lock for easy positioning and permanent placement • panel cover has permanent cross-lines and AEC field markers for easy patient and tube positioning • heavy-duty grid cabinet (103 LPI, 10:1 grid), other grids available • optional removable grid 	 ✓	✓	✓
Ceiling mount <ul style="list-style-type: none"> • motorised or manual movements • 150 cm or 180 cm vertical travel • extendable ceiling rails for all room sizes asnd floor plans • convenient LCD touch screen, Optional on-screen generator controls • optional wired or wireless remote controller • full range of auto-tracking options • optional constant-focus stitching mode • spring balanced construction with electromagnetic locks 	 ✓	✓	✓
X-ray tube 150 kVp Optical focal spot: 0.6 and 1.2, anode speed: 2,850 rpm Anode angle: 12°, heat capacity: 300 KHU, focal spot: 0.6 / 1.2 mm Max. KVP: 150 kVp	✓	✓	✓
1 x wireless Csl X-ray detector 14" x 17"	 ✓	-	-
1 x wireless Csl X-ray detector 14" x 17" and 1 x 17" x 17" Csl X-ray detector fixed	-	✓	-
2 x wireless Csl X-ray detector 17" x 17"	-	-	✓
Operation by dicomPACS® DX-R acquisition station Mini PC with 23" touch screen monitor, 1920 x 1080 Pixel incl. the professional console software dicomPACS® DX-R with modern graphic user interface with generator control, integrated X-ray positioning guide and basic software modules: <ul style="list-style-type: none"> • dicomPACS® DX-R DICOM Send SCU • dicomPACS® DX-R DICOM Patient CD • dicomPACS® DX-R Cognition Optimised Processing 	 ✓	✓	✓
Optional components			
<ul style="list-style-type: none"> • DAP meter (Dose Area Product meter) • Upgrade from 50 KW to 65 KW to or 80 KW • Patient mat for X-ray table, lateral holder for detector and much more • Auto stitching 	✓	✓	✓

Specifications subject to revision without notice

The editor strives to impart correct and up to date information. The provided specifications are based on current knowledge and are subject to revision without notice. This brochure is subject to correction. The editor assumes no responsibility for the information being up to date, correct and complete.

All furnished logos, pictures and graphics are property of the particular company and subject to copyright of the licensor. Use, dissemination, distribution or copying of the pictures, logos or text compiled or processed by the editor is subject to our written consent. All rights reserved.

OR Technology

www.or-technology.com | X-perts in X-ray



Headquarters:

OR Technology (Oehm und Rehbein GmbH), 18057 Rostock, Germany, Neptunallee 7c
Tel. +49 381 36 600 500, Fax +49 381 36 600 555
www.or-technology.com, info@or-technology.com

OR Technology UK: Celtic SMR Ltd., Frederick House, Hayston View, Johnston
Haverfordwest, Pembrokeshire SA62 3AQ, United Kingdom
www.celticsmr.co.uk, sales@celticsmr.co.uk

Info hotline: +49 381 36 600 600

